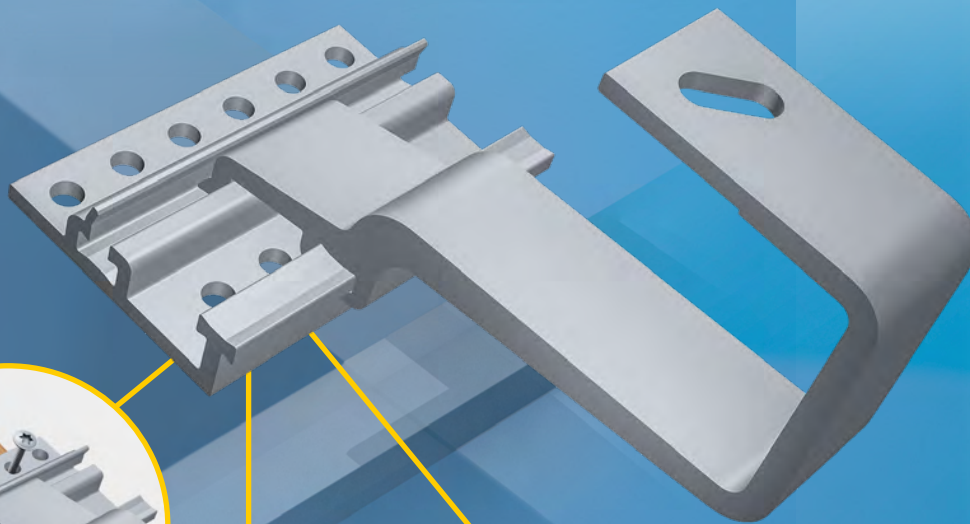


TRITEC

ENERGY FOR A BETTER WORLD

TRI-STAND ROOF HOOK BASIC

Product information



Maximum flexibility:

Plate with 2 x 6 boreholes for M8 flathead-screws for the installation of the roof hook onto the rafter.



Universal possibility of mounting:

Roof hook with diagonal borehole for vertical and horizontal adjustment of the mounting profile.



Quick and easy positioning:

Screwless fixation of the position of the bracket on the plate.

Flexible and easy installation:

Thanks to the diagonal hole in the bracket, insertion and clamping systems can be mounted without any problems. Easy positioning due to infinitely variable horizontal adjustment.

High load capacity:

Up to 140 kg load capacity. This means that even higher snow loads are no problem.

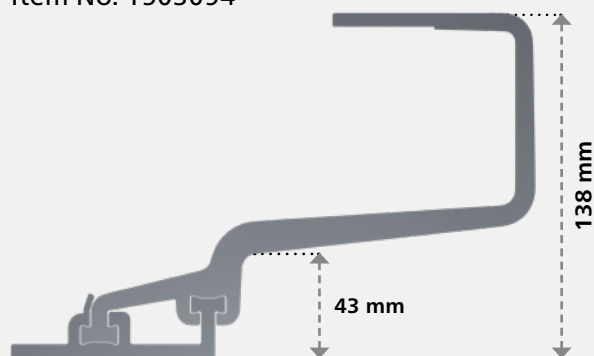
www.tritec-energy.com

TRI-STAND ROOF HOOK BASIC

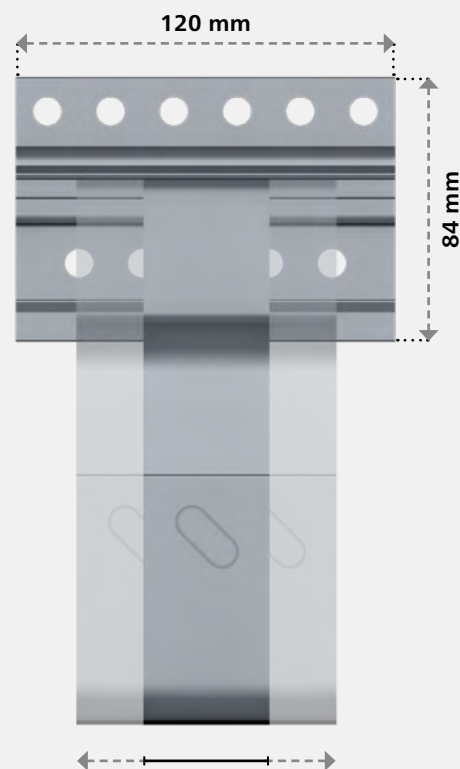


TRI-STAND ROOF HOOK BASIC, FIX

Item No. 1503094

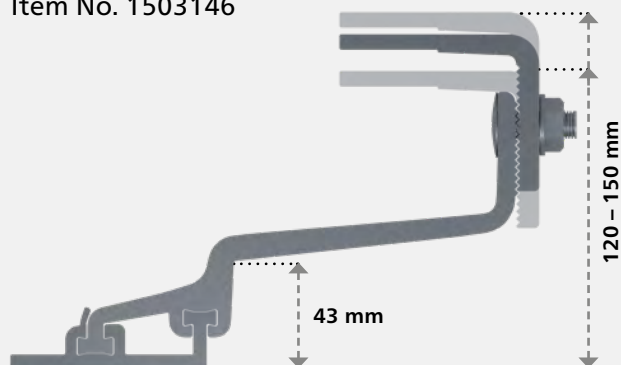


FLEXIBLE
TRI-STAND
ROOF HOOKS BASIC
are steplessly
horizontally
adjustable.



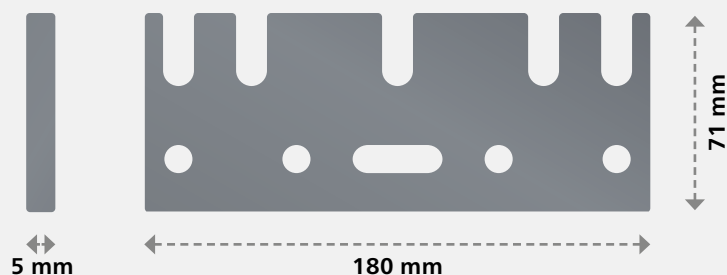
TRI-STAND ROOF HOOK BASIC, 1-FOLD VARIABLE

Item No. 1503146



TRI-STAND UNDERLAY ROOF HOOKS 5 mm (optional)

Item No. 1503123



Further information and the download of the assembly instructions you will find on our homepage www.tritec-energy.com.

Or just talk to us directly. Our experts are at your disposal to answer all your questions.

Contact
info@tritec-energy.com
www.tritec-energy.com